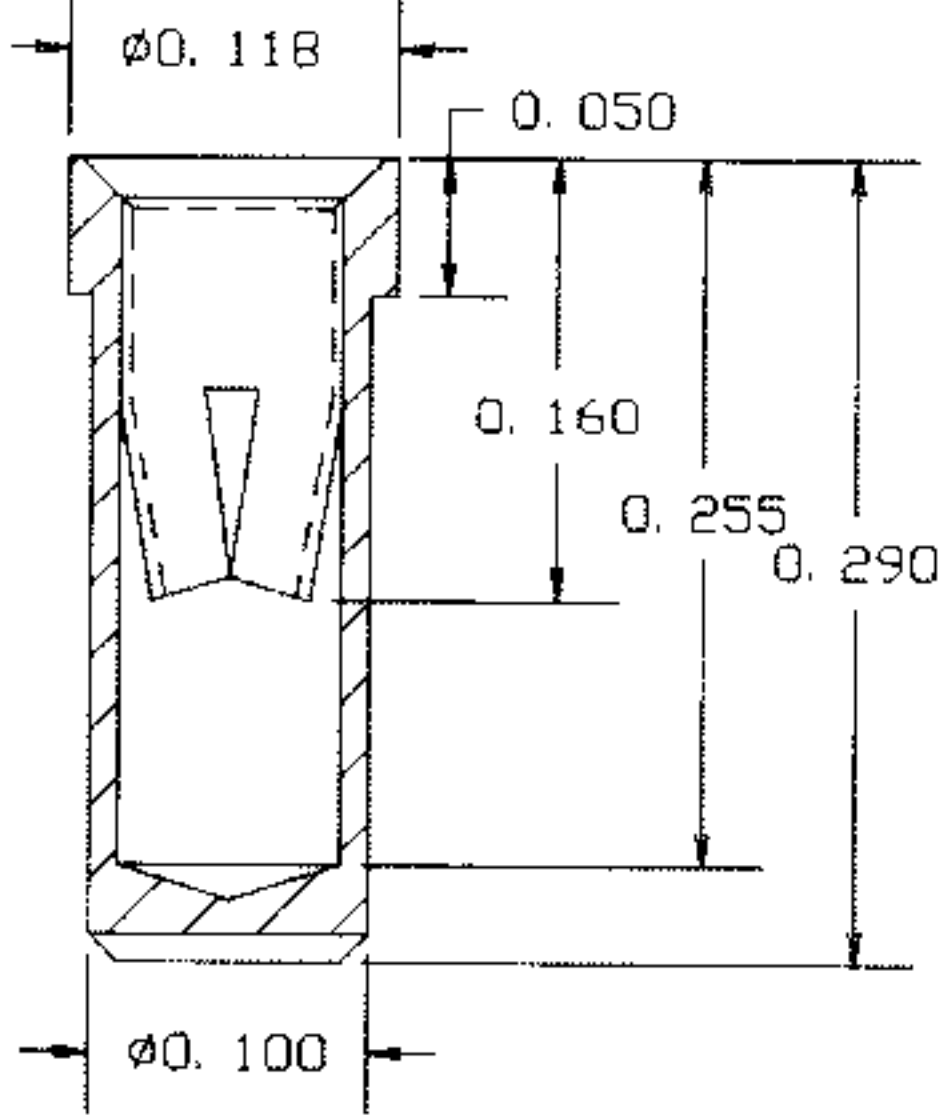


P.C. JACKS

09-9645-1-XX FOR .040-.060 DIA. PINS*

BASIC PART NO. FINISH



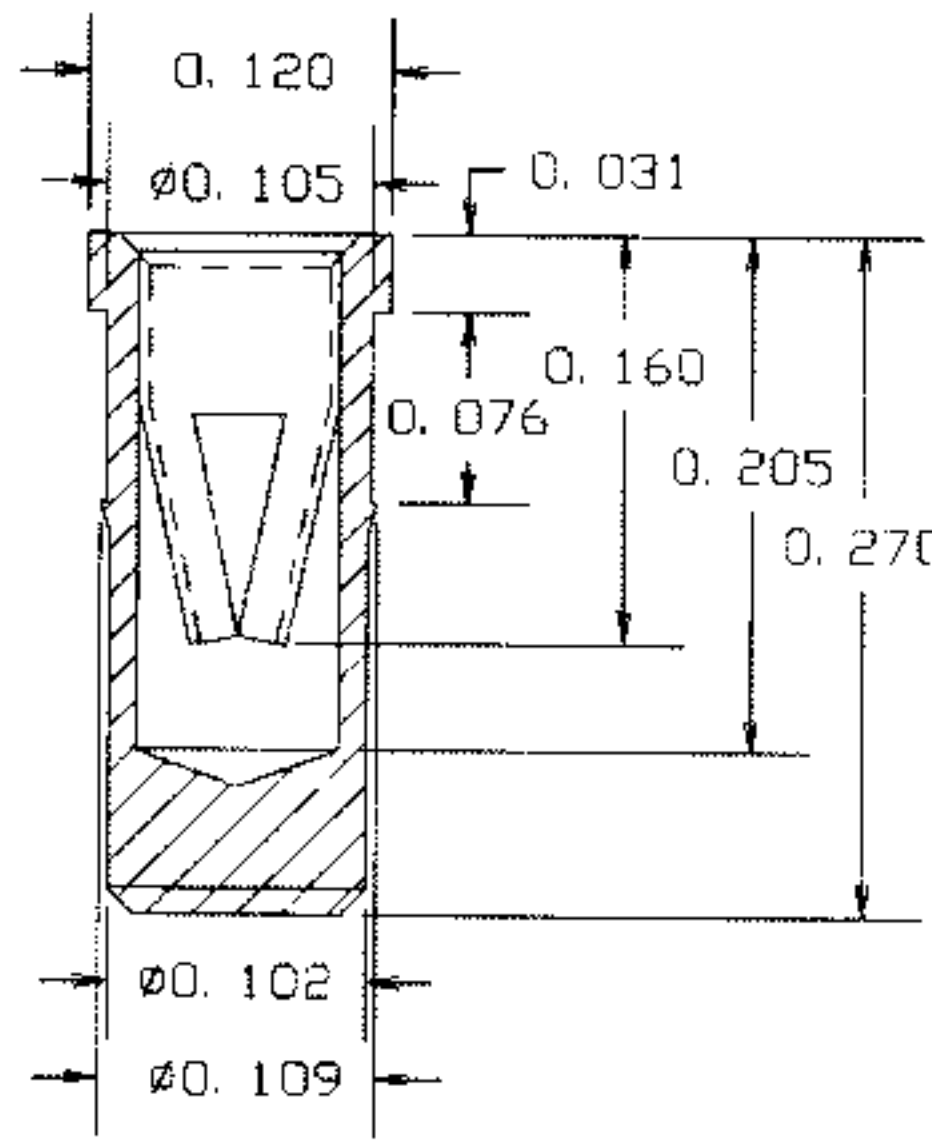
MATERIAL:
BODY: BRASS PER ASTM B16
CONTACT: BERYLLIUM COPPER PER ASTM B194

RECOMMENDED MOUNTING HOLE .102 MIN.

*THE MINIMUM PIN DIAMETER SHOULD BE NO MORE THAN .010" SMALLER THAN THE MAXIMUM PIN DIAMETER INSERTED

09-9644-1-XX FOR .040-.060 DIA. PINS*

BASIC PART NO. FINISH



MATERIAL:
BODY: BRASS PER ASTM B16
CONTACT: BERYLLIUM COPPER PER ASTM B194

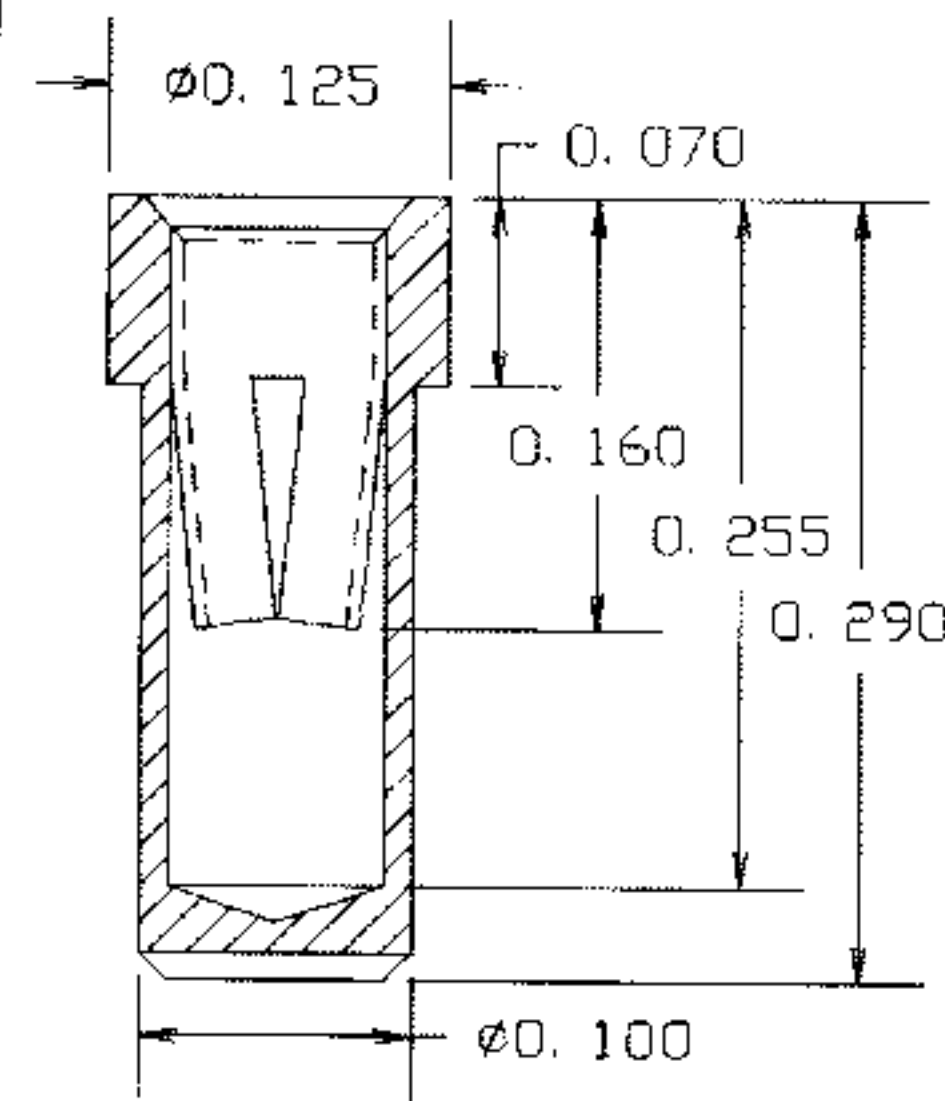
PRESS FIT .106 MOUNTING HOLE

*THE MINIMUM PIN DIAMETER SHOULD BE NO MORE THAN .010" SMALLER THAN THE MAXIMUM PIN DIAMETER INSERTED

WE CROSS REFERENCE MOST MAJOR MANUFACTURERS

09-9646-1-XX FOR .040-.060 DIA. PINS*

BASIC PART NO. FINISH



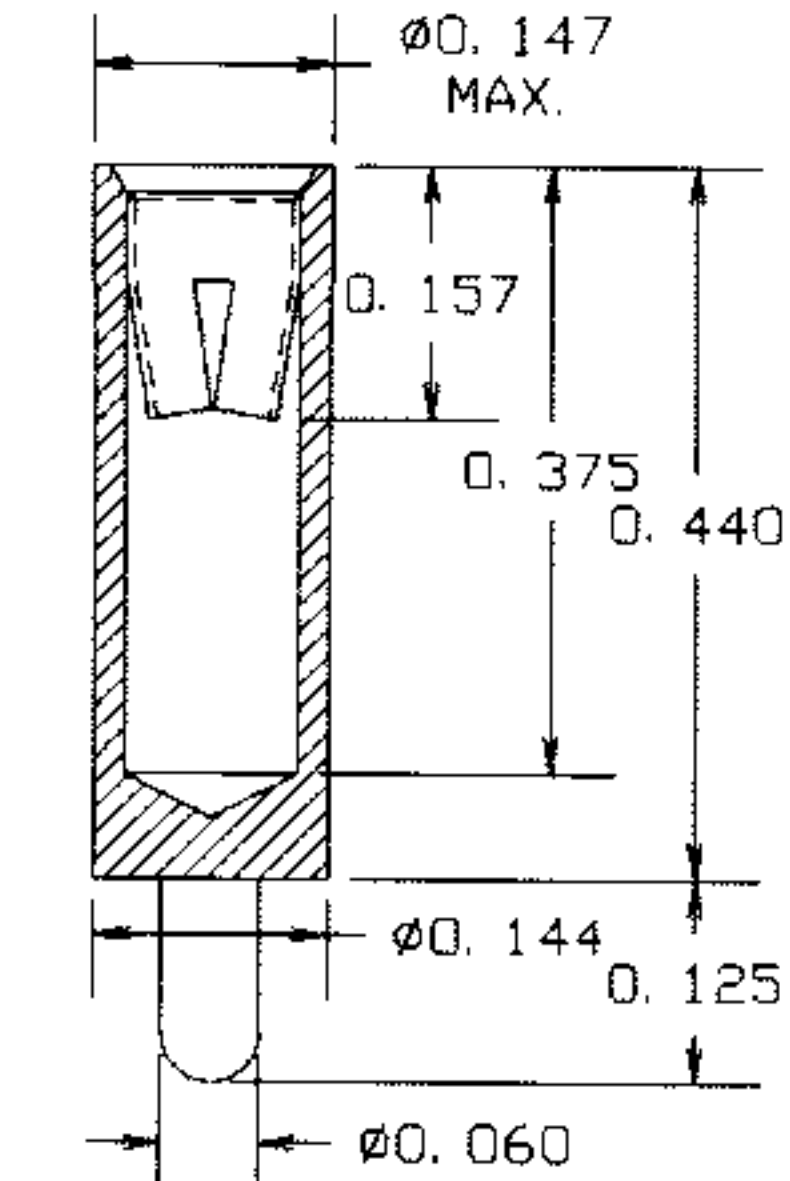
MATERIAL:
BODY: BRASS PER ASTM B16
CONTACT: BERYLLIUM COPPER PER ASTM B194

RECOMMENDED MOUNTING HOLE .102 MIN.

*THE MINIMUM PIN DIAMETER SHOULD BE NO MORE THAN .010" SMALLER THAN THE MAXIMUM PIN DIAMETER INSERTED

09-9631-1-XX FOR .065-.082 DIA. PINS*

BASIC PART NO. FINISH



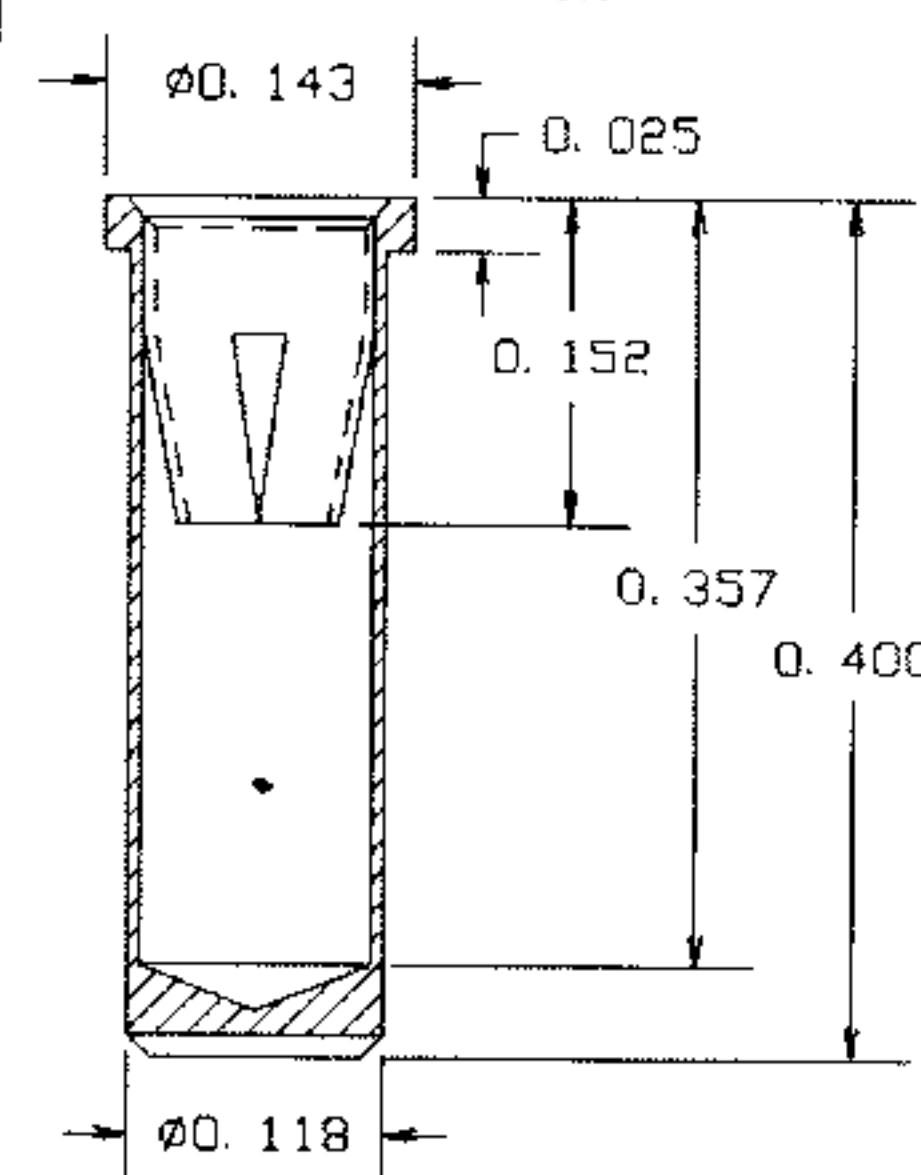
MATERIAL:
BODY: BRASS PER ASTM B16
CONTACT: BERYLLIUM COPPER PER ASTM B194

RECOMMENDED MOUNTING HOLE .063 MIN.

*THE MINIMUM PIN DIAMETER SHOULD BE NO MORE THAN .013" SMALLER THAN THE MAXIMUM PIN DIAMETER INSERTED

09-9637-1-XX FOR .065-.082 DIA. PINS*

BASIC PART NO. FINISH



MATERIAL:
BODY: BRASS PER ASTM B16
CONTACT: BERYLLIUM COPPER PER ASTM B194

RECOMMENDED MOUNTING HOLE .120 MIN.

*THE MINIMUM PIN DIAMETER SHOULD BE NO MORE THAN .013" SMALLER THAN THE MAXIMUM PIN DIAMETER INSERTED

MATERIAL

Body: Brass per ASTM B16

Spring Contact: Beryllium Copper per ASTM B194

FINISH

Part Number/Finish Code	Body Finish	Spring Contact Finish
09-9XXX-X-03	Gold per ASTM B488	Gold per ASTM B488
04	Electro-Tin per ASTM B545	Electro-Tin per ASTM B545
06	Electro-Tin per ASTM B545	Gold per ASTM B488
063	Bright Tin-Lead per ASTM B545	Gold per ASTM B488
088	Bright Tin-Lead per ASTM B545	Bright Tin-Lead per ASTM B545

FOR ADDITIONAL SIZES AND MATERIALS, CONTACT FACT

800-847-4162 (Outside N.Y.S.)
Ph: 212-777-6571 Fax: 212-991-0161
sales@concord-electronics.com
engineering@concord-electronics.com

